

Material Handling Machine

LH 110 Industry

Litronic®

Operating Weight:
95,000 – 115,000 kg

Engine:
300 kW / 408 HP

Stage IV
Stage IIIA

System Performance:
501 kW

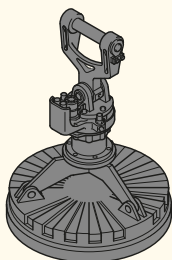


LIEBHERR

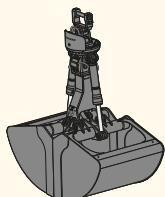
The Perfect Solution for Every Application



Multi-tine grab



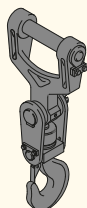
Magnet devices



Shells for loose material

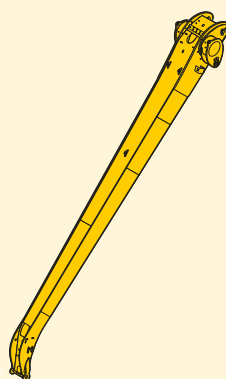


Wood grab

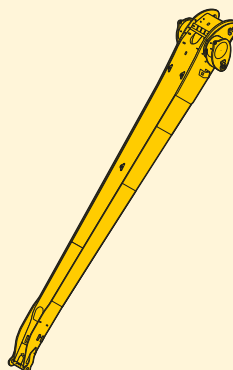


Load hook

Working Tools

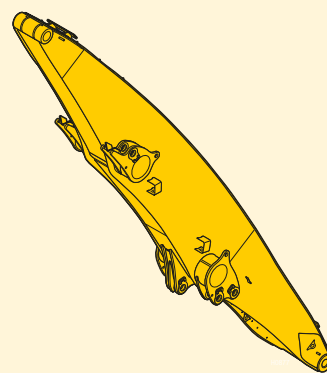


Angled stick

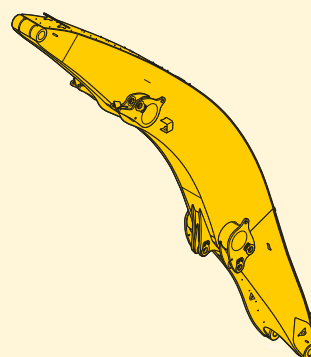


Straight stick

Sticks



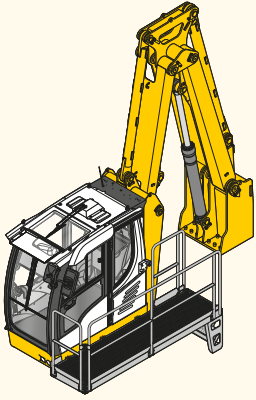
Straight boom



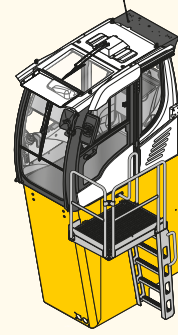
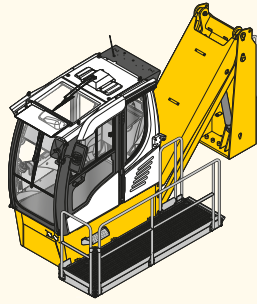
Angled boom

Booms

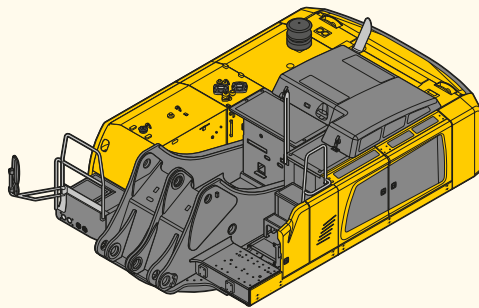
Cab Elevations



Hydraulic cab elevation



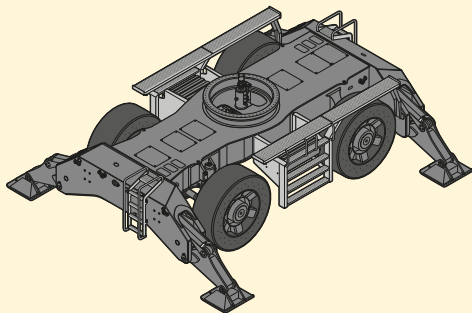
Rigid cab elevation



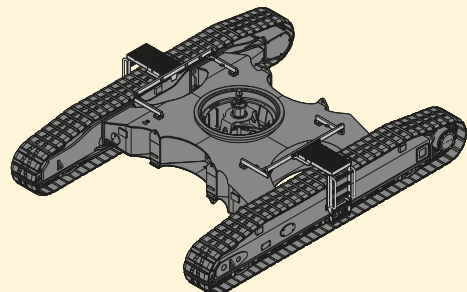
Uppercarriage



Turret Elevations



Mobile



Crawler

Undercarriage

Material Handling Machines Overview

Uppercarriage

- 2-circuit Liebherr-Synchron-Comfort-system (LSC) with LUDV technology for faster working speed at minimum fuel consumption
- 300 kW engine output and high pump flow for fast work cycles, convincing dynamics and maximum handling performance
- Electrical pilot control enables individual settings for the operator and new options such as load torque limitation
- Reduction in operating costs thanks to built-in maintenance advantages and optimum service accessibility
- Optimised hydraulics with closed slewing mechanism circuit for greater fuel efficiency and faster work cycles

Undercarriage

- Central lubrication system manually centralised or automatically for more productive working time at mobile undercarriage
- Large footprint for high stability and maximum lift capacities
- Variety of undercarriage variants for different applications available
- Low service costs thanks to travel drive without gearbox and cardan shafts at mobile undercarriage





Attachment

- Designed for use in tough scrap recycling with high-strength steel plates at highly-stressed points for maximum service life
- Energy recovery cylinder filled with nitrogen for maximum efficiency through less fuel consumption at more handling capacity
- Pipe fracture safety valves on hoist and stick cylinders and retract stick shut-off for maximum safety during every application
- Electro-hydraulic end position control extends the service life of the components
- Quick coupling systems and working tools made by Liebherr for maximum machine capacity utilisation and greater handling performance

Operator's Cab

- Hydraulic cab elevations for always the best view downwards as well as forwards
- Less strain on the operator, workers and reduced environmental pollution due to lower noise emissions
- Optimum visibility thanks to large glass surfaces and standard rear and side area monitoring with camera
- Joystick steering without steering column as standard for convenient operation, greater legroom and clear view of the working area at mobile undercarriage
- Proportional control as standard with 4-way minijoystick for greater precision, highprecision control and functions

Technical Data



Diesel Engine

Rating per ISO 9249	300 kW (408 HP) at 1,800 RPM
Model	Liebherr D946
Type	6 cylinder in-line
Bore/Stroke	130/150 mm
Displacement	11.95 l
Engine operation	4-stroke diesel Common-Rail turbo-charged and after-cooled reduced emissions
Air cleaner	dry-type air cleaner with pre-cleaner, primary and safety elements
Engine idling	sensor controlled
Electrical system	
Voltage	24 V
Batteries	2 x 180 Ah / 12 V
Alternator	three-phase current 28 V / 140 A
Stage IV	
Harmful emissions values	in accordance with 97/68/EG stage IV
Emission control	Liebherr-SCR technology
Fuel tank	1,350 l
Urea tank	180 l
Stage IIIA	
Harmful emissions values	in accordance with 97/68/EG stage IIIA
Fuel tank	1.350 l



Cooling System

Diesel engine	water-cooled cooling system, consisting of a cooling unit for water and charge air and a 2 nd cooler for hydraulic oil, each with an infinitely variable, thermostatically controlled fan drive system
----------------------	---



Hydraulic Controls

Power distribution	via control valves with integrated safety valves, simultaneous actuation of chassis and attachment. Swing drive in separate closed circuit
Servo circuit	
Attachment and swing	with electro-hydraulic pilot control and proportional joystick levers
Chassis	with electric proportionally functioning foot pedals or adjusted with plugable levers
Additional functions	via switch or electroproportional foot pedals
Proportional control	proportionally acting transmitters on the joysticks for additional hydraulic functions



Hydraulic System

Hydraulic pump	
for attachment and travel drive	2 Liebherr axial piston variable displacement pumps (double construction)
Max. flow	2 x 462 l/min.
Max. pressure	350 bar
for swing drive	reversible axial piston variable displacement pump, closed-loop circuit
Max. flow	355 l/min.
Max. pressure	370 bar
Hydraulic pump regulation and control	2 circuit Liebherr-Synchron-Comfort-system (LSC) with electronic engine speed sensing regulation, pressure and flow compensation, automatic oil flow optimizer
Hydraulic tank	455 l
Hydraulic system	1,175 l
Hydraulic oil filter	2 main return filters with integrated partial micro filtration (5 µm)
MODE selection	adjustment of engine and hydraulic performance via a mode pre-selector to match application, e.g. for especially economical and environmentally friendly operation or for maximum material handling and heavy-duty jobs
S (Sensitive)	mode for precision work and lifting through very sensitive movements
E (Eco)	mode for especially economical and environmentally friendly operation
P (Power)	mode for high performance with low fuel consumption
P+ (Power-Plus)	mode for highest performance and for very heavy duty applications, suitable for continuous operation
Engine speed and performance setting	stepless alignment of engine output and hydraulic power via engine speed
Option	Tool Control: ten preadjustable pump flows and pressures for add on tools



Swing Drive

Drive	Liebherr axial piston motor in a closed system, Liebherr planetary reduction gear
Swing ring	Liebherr, sealed race ball bearing swing ring, internal teeth
Swing speed	0 – 6.5 RPM stepless
Swing torque	200 kNm
Holding brake	wet multi-disc (spring applied, pressure released)



Operator's Cab

Cab	safety cab structure with fixed built-in front and roof window made from impact-resistant laminated safety glass, work headlights integrated in the ceiling, a door with a sliding window (can be opened on both sides), large stowing and depositing possibilities, shock-absorbing suspension, sounddamping insulating, tinted laminated safety glass, separate shades for the sunroof window and windscreen
Operator's seat	
Comfort	air cushioned operator's seat with 3D-adjustable arm-rests, headrest, lap belt, seat heater, adjustable seat cushion inclination and length, lockable horizontal suspension, automatic weight adjustment, adjustable suspension stiffness, pneumatic lumbar vertebrae support and passive seat climatisation with active coal
Option	
Premium	in addition to operator's seat comfort: active electronic weight adjustment (automatic readjustment), pneumatic low frequency suspension and active seat climatisation with active coal and ventilator
Control system	joysticks with arm consoles and swivel seat, folding left arm console
Operation and displays	large high-resolution operating unit, self-explanatory, colour display with touchscreen, video-compatible, numerous setting, control and monitoring options, e.g. air conditioning control, fuel consumption, machine and tool parameters
Air-conditioning	automatic air-conditioning, recirculated air function, fast de-icing and demisting at the press of a button, air vents can be operated via a menu; recirculated air and fresh air filters can be easily replaced and are accessible from the outside; heating-cooling unit, designed for extreme out-side temperatures, sensors for solar radiation, inside and outside temperatures



Attachment

Type	high-strength steel plates at highly stressed points for the toughest requirements. Complex and stable mountings of attachment and cylinders
Hydraulic cylinders	Liebherr cylinders with special seal system as well as shock absorption
Energy recovering cylinder	Liebherr gas cylinder with special sealing and control system
Bearings	sealed, low maintenance



Undercarriage

Mobile	
Versions	Standard, High Rise
Drive	one driven axle with transmission with Liebherr axial piston motor and functional brake valve on both sides
Travel speed	
Joystick steering	0 – 5.0 km/h stepless (creeper speed) 0 – 8.0 km/h stepless
Driving operation	automotive driving using accelerator pedal, cruise control function: storage of variable accelerator pedal positions
Axles	90 t drive axles; manual or automatic hydraulically controlled front axle oscillation lock
Service brake	two circuit travel brake system with accumulator; wet and backlash-free disc brake
Holding brake	wet multi-disc (spring applied, pressure released)
Stabilization	4 point outriggers
Crawler	
Versions	SW, High Rise
Drive	Liebherr compact planetary reduction gear with Liebherr axial piston motor per side of undercarriage
Travel speed	0 – 2.6 km/h stepless (creeper speed) 0 – 4.0 km/h stepless
Brake	functional brake valves on both sides
Holding brake	wet multi-disc (spring applied, pressure released)
Track pads	flat

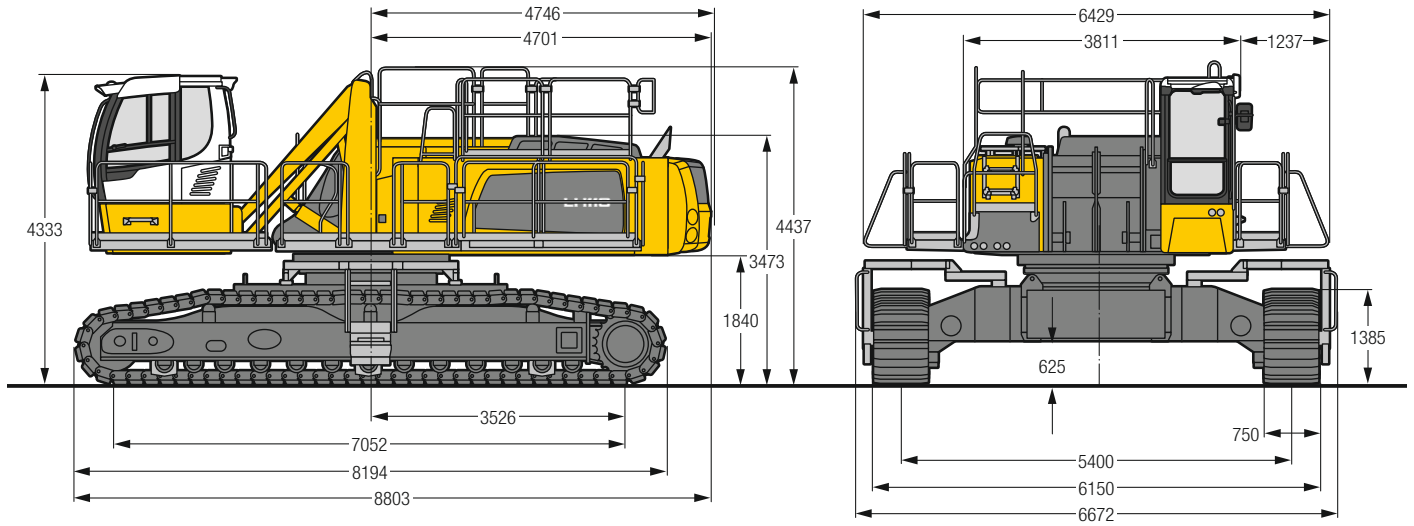


Complete Machine

Lubrication	Liebherr central lubrication system for uppercarriage and attachment, automatically
Option	
Mobile	Liebherr central lubrication system for undercarriage, automatically
Steps system	safe and durable access system with anti-slip steps main components hot-galvanised
Noise emission	
ISO 6396	L_{pA} (inside cab) = 71 dB(A)
2000/14/EC	L_{WA} (surround noise) = 107 dB(A)

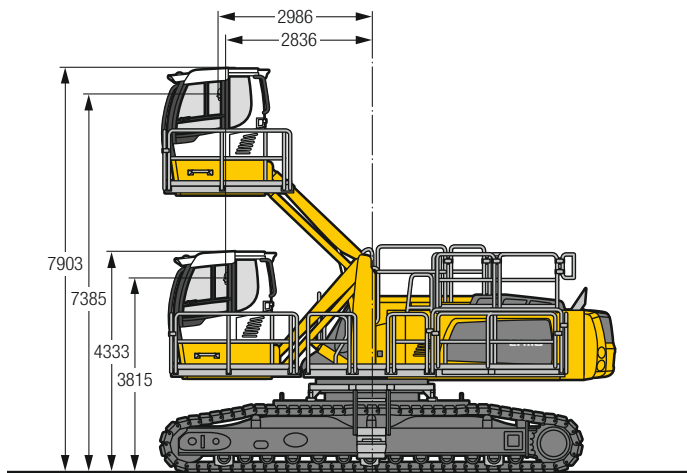
LH 110 C - Dimensions

Industry



LH 110 C - Cab Elevation

Cab Elevation LHC (Hydraulic Elevation)



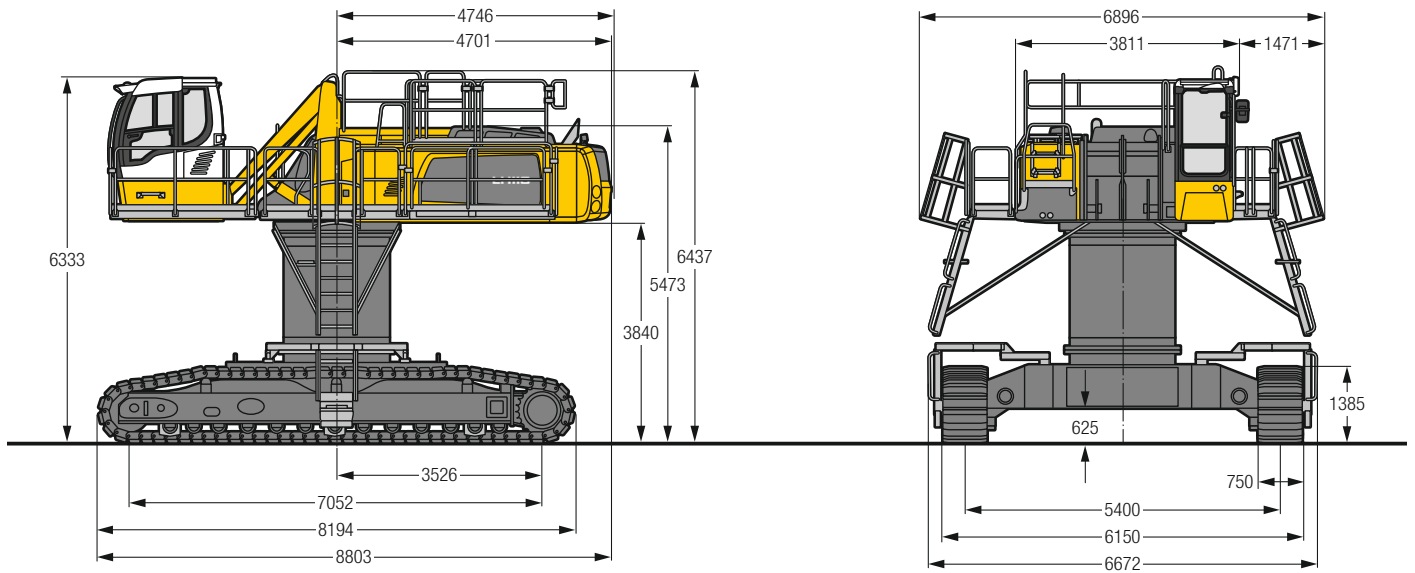
Increase type

LHC 360-50

The hydraulically adjustable cab allows the driver, that he can choose his field of view freely and at any time within the stroke.

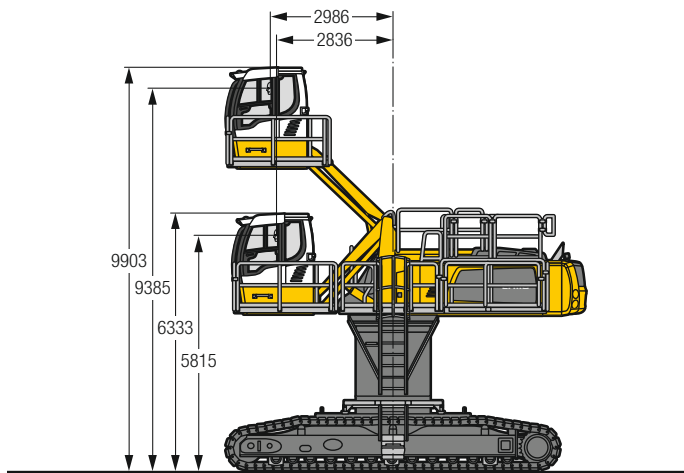
LH 110 C HR - Dimensions

Industry



LH 110 C HR - Choice of Cab Elevation

Cab Elevation LHC (Hydraulic Elevation)

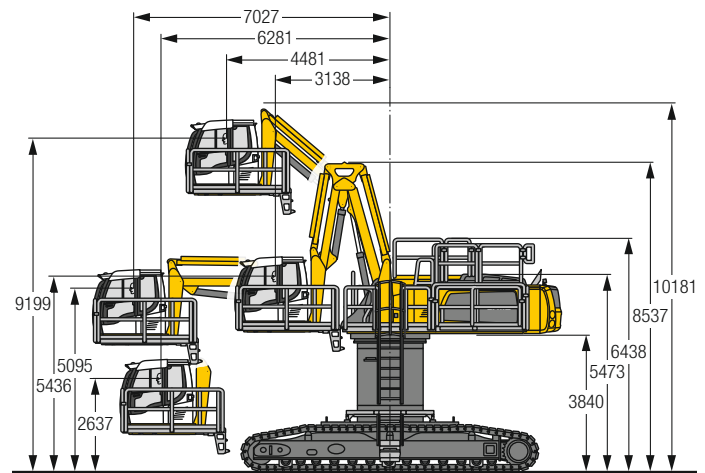


Increase type

LHC 360-50

The hydraulically adjustable cab allows the driver, that he can choose his field of view freely and at any time within the stroke.

Cab Elevation LHC-D (Hydraulic Elevation)



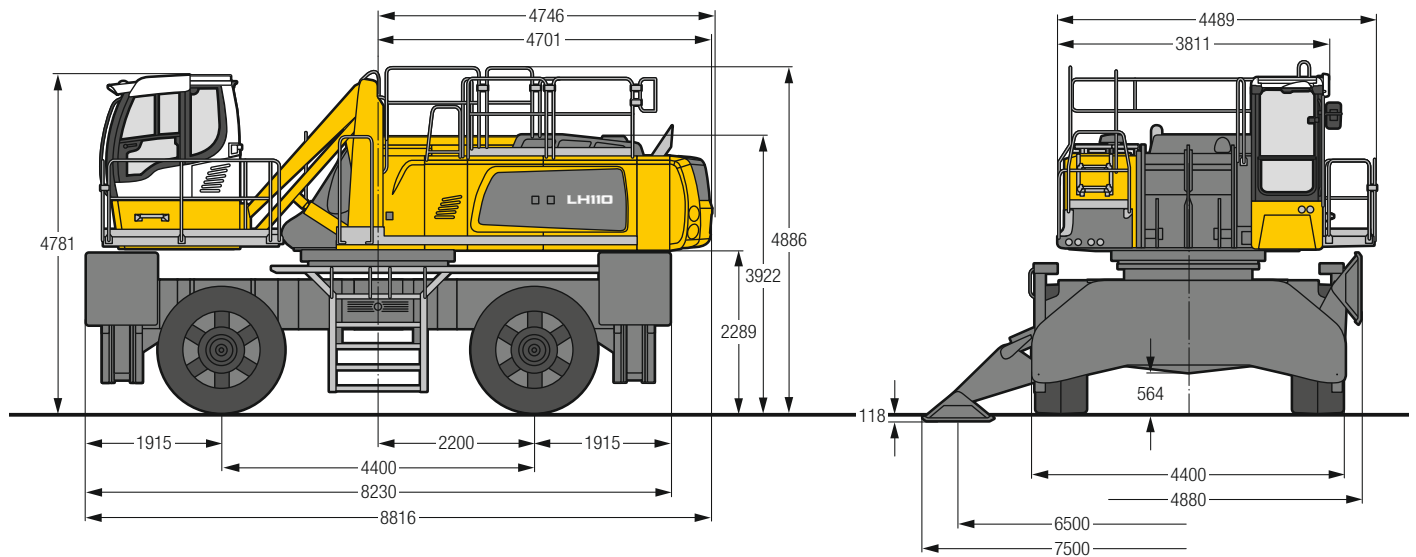
Increase type

LHC-D 730

The hydraulically adjustable cab allows the driver, that he can choose his field of view freely and at any time within the stroke.

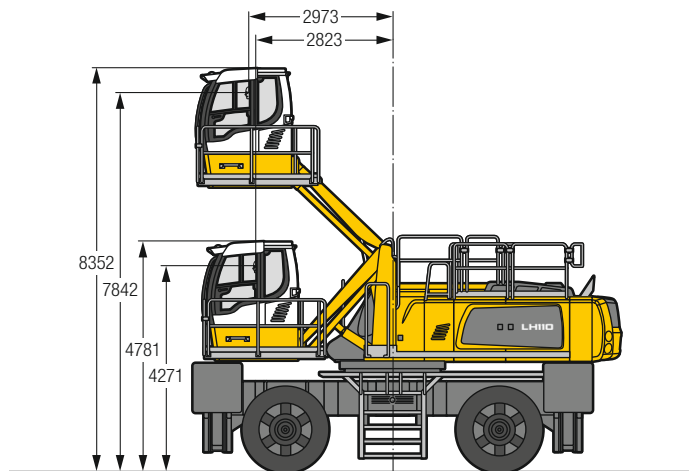
LH 110 M - Dimensions

Industry



LH 110 M - Cab Elevation

Cab Elevation LHC (Hydraulic Elevation)



Increase type

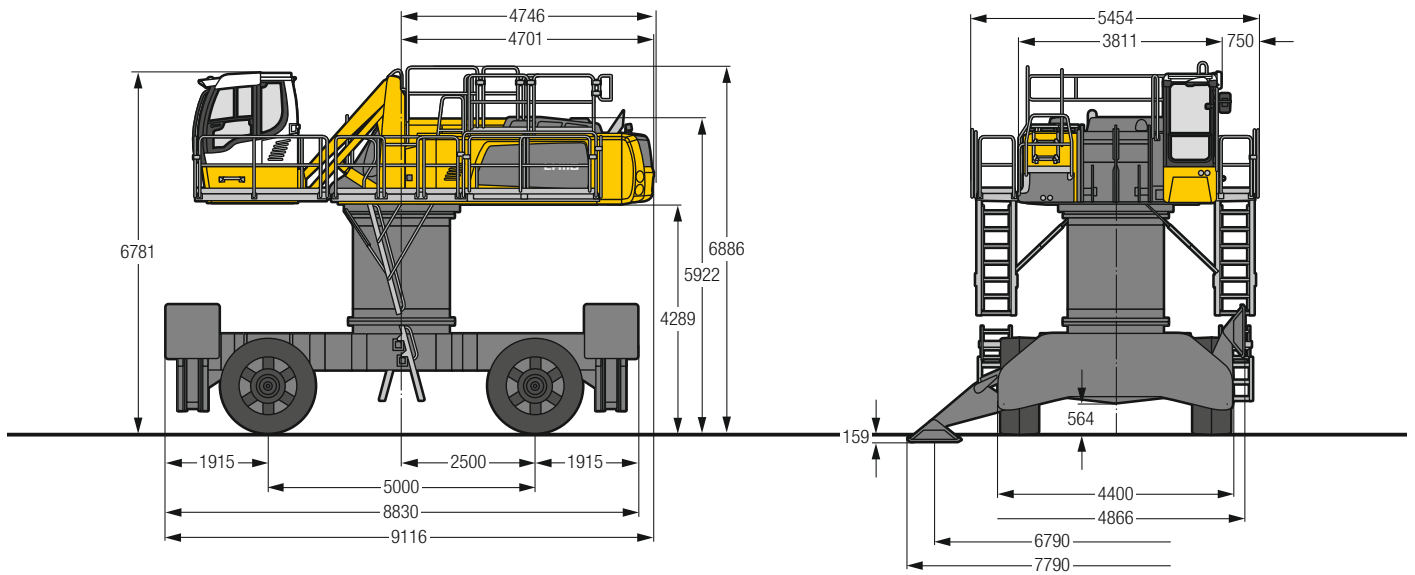
LHC 360-50

The hydraulically adjustable cab allows the driver, that he can choose his field of view freely and at any time within the stroke.

Tyres 28.00-25

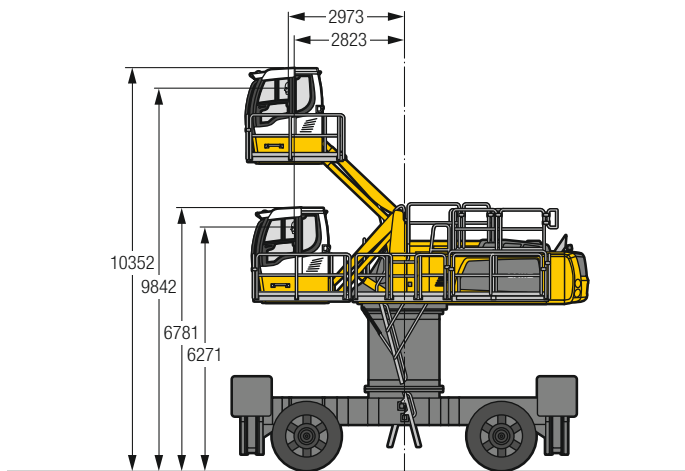
LH 110 M HR - Dimensions

Industry



LH 110 M HR - Cab Elevation

Cab Elevation LHC (Hydraulic Elevation)



Increase type

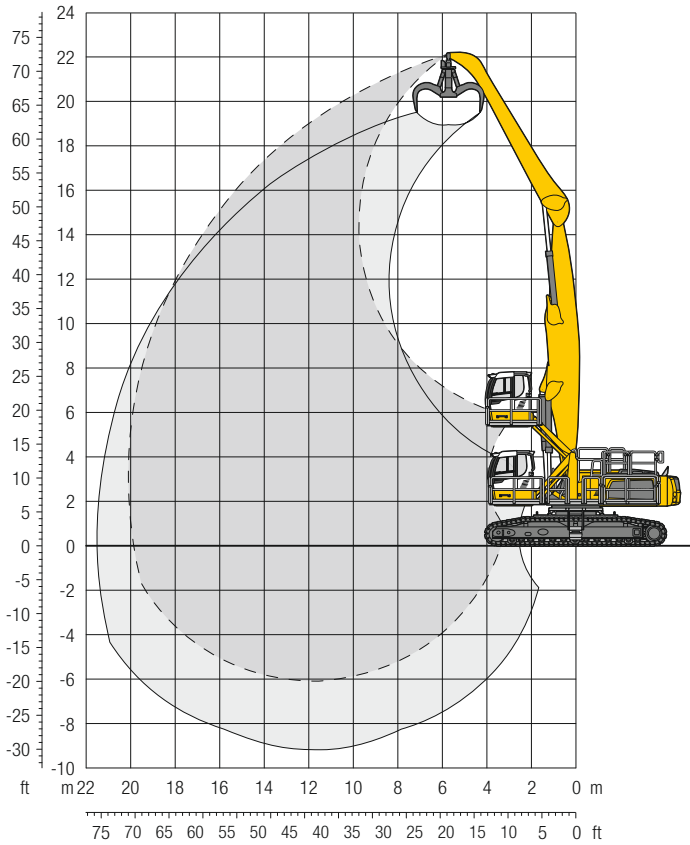
LHC 360-50

The hydraulically adjustable cab allows the driver, that he can choose his field of view freely and at any time within the stroke.

Tyres 28.00-25

LH 110 C – Attachment GA20

Industry – Kinematic 2A

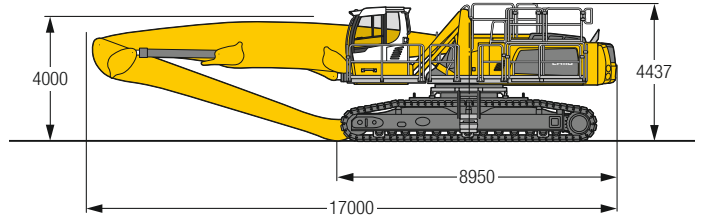


Operating Weight and Ground Pressure

The operating weight includes the basic machine with hydr. cab elevation, straight boom 11.50 m, angled stick 9.00 m and grab model GMM 120-5/2.00 m³ semi-closed tines.

Weight	102,900 kg
Pad width	750 mm
Ground pressure	on request

Dimensions



m	Undercarriage	6.0 m	7.5 m	9.0 m	10.5 m	12.0 m	13.5 m	15.0 m	16.5 m	18.0 m	19.5 m	21.0 m	22.5 m	24.0 m	m							
		Icon	Icon	Icon	Icon	Icon	Icon	Icon	Icon	Icon	Icon	Icon	Icon	Icon								
24.0	SW																					
22.5	SW																					
21.0	SW		17.0*	17.0*											14.2* 14.2* 8.7							
19.5	SW			17.0*	17.0*	14.4*	14.4*								12.1* 12.1* 11.4							
18.0	SW					16.3*	16.3*	14.4*	14.4*						11.0* 11.0* 13.3							
16.5	SW					16.0*	16.0*	14.6*	14.6*	13.6*	13.6*				10.3* 10.3* 14.9							
15.0	SW					15.8*	15.8*	14.5*	14.5*	13.4*	13.4*	12.5*	12.5*		9.8* 9.8* 16.1							
13.5	SW					15.8*	15.8*	14.4*	14.4*	13.3*	13.3*	12.4*	12.4*	11.7*	11.7*	9.5* 9.5* 17.1						
12.0	SW					16.0*	16.0*	14.5*	14.5*	13.4*	13.4*	12.4*	12.4*	11.6*	11.6*	9.2* 9.2* 18.0						
10.5	SW				18.3*	18.3*	16.3*	16.3*	14.7*	14.7*	13.5*	13.5*	12.5*	12.5*	11.7*	11.7*	10.9*	10.9*	9.1*	9.1*	18.7	
9.0	SW				18.9*	18.9*	16.8*	16.8*	15.1*	15.1*	13.7*	13.7*	12.6*	12.6*	11.7*	11.7*	11.0*	11.0*			19.2	
7.5	SW			23.1*	23.1*	19.8*	19.8*	17.3*	17.3*	15.5*	15.5*	14.0*	14.0*	12.8*	12.8*	11.9*	11.9*	11.0*	11.0*	9.6*	9.6*	19.6
6.0	SW	30.4*	30.4*	24.6*	24.6*	20.7*	20.7*	18.0*	18.0*	15.9*	15.9*	14.3*	14.3*	13.1*	13.1*	12.0*	12.0*	11.1*	11.1*	10.2*	10.2*	19.9
4.5	SW	33.0*	33.0*	26.1*	26.1*	21.7*	21.7*	18.7*	18.7*	16.4*	16.4*	14.7*	14.7*	13.3*	13.3*	12.1*	12.1*	11.1*	11.1*	10.1*	10.1*	20.0
3.0	SW	25.2*	25.2*	27.6*	27.6*	22.7*	22.7*	19.3*	19.3*	16.9*	16.9*	15.0*	15.0*	13.5*	13.5*	12.2*	12.2*	11.1*	11.1*	10.0*	10.0*	20.1
1.5	SW	12.2*	12.2*	28.7*	28.7*	23.5*	23.5*	19.9*	19.9*	17.2*	17.2*	15.2*	15.2*	13.6*	13.6*	12.2*	12.2*	11.0*	11.0*	9.7*	9.7*	20.0
0	SW	10.2*	10.2*	21.7*	21.7*	23.9*	23.9*	20.1*	20.1*	17.4*	17.4*	15.3*	15.3*	13.6*	13.6*	12.1*	12.1*	10.8*	10.8*	9.3*	9.3*	19.9
-1.5	SW	10.3*	10.3*	18.4*	18.4*	23.7*	23.7*	20.1*	20.1*	17.3*	17.3*	15.2*	15.2*	13.4*	13.4*	11.8*	11.8*	10.3*	10.3*	8.4*	8.4*	19.6
-3.0	SW	11.2*	11.2*	17.7*	17.7*	22.9*	22.9*	19.5*	19.5*	16.9*	16.9*	14.7*	14.7*	12.9*	12.9*	11.2*	11.2*	9.4*	9.4*			18.5
-4.5	SW			18.2*	18.2*	21.3*	21.3*	18.3*	18.3*	15.9*	15.9*	13.8*	13.8*	11.9*	11.9*	10.1*	10.1*					16.8
-6.0	SW							14.2*	14.2*													12.2
-7.5	SW																					

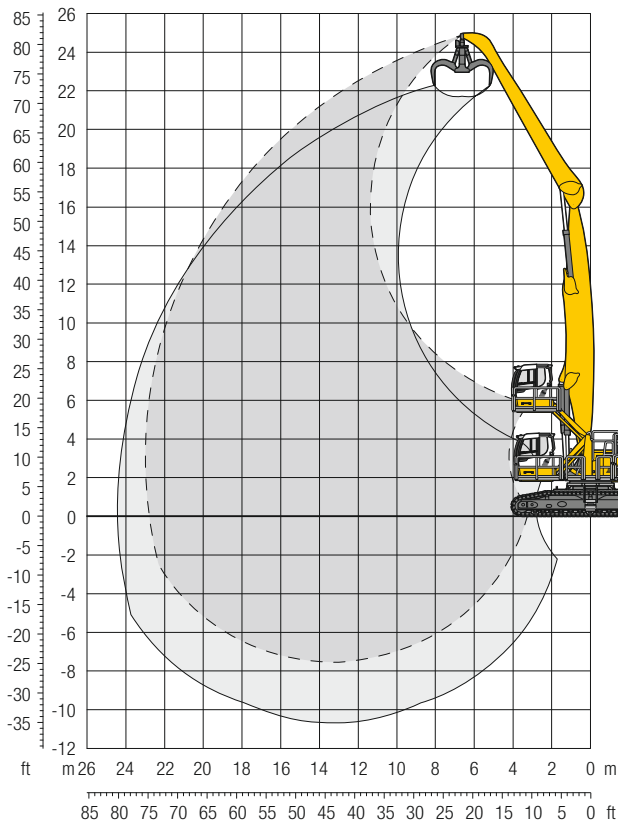
Height
 Can be slewed through 360°
 In longitudinal position of undercarriage
 Max. reach
 * Limited by hydr. capacity

The lift capacities on the stick end without attachment are stated in metric tons (t) and can be slewed through 360° on a firm, level supporting surface. Capacities are valid for 750 mm wide flat pads. Indicated loads based on the ISO 10567 standard and do not exceed 75% of tipping or 87% of hydraulic capacity. The lift capacity values indicated are attained at the corresponding operating temperature. This operating temperature is ensured by continuous movement of the boom. Weights of fitted working tools (grabs, load hooks, etc.) and load accommodation equipment are to be deducted from the lift capacity values. The lift capacity of the unit is limited by its stability, the lifting capability of the hydraulic elements, or the maximum permissible lifting capacity of the load hook.

In accordance with the harmonised European Standard EN 474-5, hydraulic excavators used for lifting operations must be equipped with pipe fracture safety valves, an overload warning device, a load hook and a lift capacity chart.

LH 110 C – Attachment GA23

Industry – Kinematic 2A

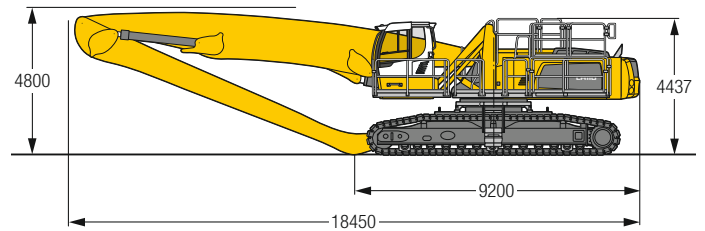


Operating Weight and Ground Pressure

The operating weight includes the basic machine with hydr. cab elevation, straight boom 13.00 m, angled stick 10.50 m and grab model GMM 120-5/2.00 m³ semi-closed tines.

Weight	104,500 kg
Pad width	750 mm
Ground pressure	on request

Dimensions



m	Undercarriage	6.0 m		7.5 m		9.0 m		10.5 m		12.0 m		13.5 m		15.0 m		16.5 m		18.0 m		19.5 m		21.0 m		22.5 m		24.0 m		m						
		SW	SW	SW	SW	SW	SW	SW	SW	SW	SW	SW	SW	SW	SW	SW	SW	SW	SW	SW	SW	SW	SW	SW	SW	SW	SW	SW	SW					
24.0	SW					12.8*	12.8*																					12.6*	12.6*	9.1				
22.5	SW							13.3*	13.3*	10.7*	10.7*																	10.6*	10.6*	12.1				
21.0	SW							14.9*	14.9*	13.3*	13.3*	11.1*	11.1*															9.5*	9.5*	14.2				
19.5	SW									13.5*	13.5*	12.2*	12.2*	11.0*	11.0*														8.8*	8.8*	16.0			
18.0	SW									13.3*	13.3*	12.1*	12.1*	11.1*	11.1*	10.3*	10.3*												8.4*	8.4*	17.4			
16.5	SW									13.2*	13.2*	12.0*	12.0*	11.0*	11.0*	10.2*	10.2*	9.5*	9.5*										8.0*	8.0*	18.6			
15.0	SW									13.2*	13.2*	12.0*	12.0*	11.0*	11.0*	10.1*	10.1*	9.5*	9.5*	8.2*	8.2*								7.8*	7.8*	19.6			
13.5	SW									13.3*	13.3*	12.0*	12.0*	11.0*	11.0*	10.1*	10.1*	9.4*	9.4*	8.8*	8.8*								7.6*	7.6*	20.5			
12.0	SW									13.4*	13.4*	12.1*	12.1*	11.1*	11.1*	10.2*	10.2*	9.4*	9.4*	8.8*	8.8*	8.1*	8.1*						7.5*	7.5*	21.2			
10.5	SW									15.3*	15.3*	13.6*	13.6*	12.3*	12.3*	11.2*	11.2*	10.3*	10.3*	9.5*	9.5*	8.8*	8.8*	8.2*	8.2*				7.4*	7.4*	21.8			
9.0	SW					18.0*	18.0*	15.7*	15.7*	13.9*	13.9*	12.4*	12.4*	11.3*	11.3*	10.3*	10.3*	9.5*	9.5*	8.9*	8.9*	8.2*	8.2*						7.4*	7.4*	22.2			
7.5	SW									21.1*	21.1*	18.6*	18.6*	16.1*	16.1*	14.2*	14.2*	12.7*	12.7*	11.5*	11.5*	10.5*	10.5*	9.6*	9.6*	8.9*	8.9*	8.2*	8.2*	7.6*	7.6*	22.6		
6.0	SW									27.2*	27.2*	23.2*	23.2*	19.3*	19.3*	16.6*	16.6*	14.5*	14.5*	12.9*	12.9*	11.6*	11.6*	10.6*	10.6*	9.7*	9.7*	8.9*	8.9*	8.2*	8.2*	7.5*	7.5*	22.8
4.5	SW									31.0*	31.0*	24.3*	24.3*	20.0*	20.0*	17.1*	17.1*	14.9*	14.9*	13.2*	13.2*	11.8*	11.8*	10.7*	10.7*	9.8*	9.8*	9.0*	9.0*	8.2*	8.2*	7.5*	7.5*	23.0
3.0	SW									14.9*	14.9*	25.3*	25.3*	20.7*	20.7*	17.5*	17.5*	15.2*	15.2*	13.4*	13.4*	12.0*	12.0*	10.8*	10.8*	9.8*	9.8*	9.0*	9.0*	8.2*	8.2*	7.3*	7.3*	23.0
1.5	SW									7.7*	7.7*	20.5*	20.5*	21.2*	21.2*	17.9*	17.9*	15.4*	15.4*	13.6*	13.6*	12.1*	12.1*	10.9*	10.9*	9.8*	9.8*	8.9*	8.9*	8.1*	8.1*	7.1*	7.1*	22.9
0	SW									6.5*	6.5*	13.6*	13.6*	21.5*	21.5*	18.1*	18.1*	15.6*	15.6*	13.7*	13.7*	12.1*	12.1*	10.9*	10.9*	9.8*	9.8*	8.8*	8.8*	7.9*	7.9*	6.7*	6.7*	22.8
-1.5	SW									6.7*	6.7*	11.9*	11.9*	21.4*	21.4*	18.1*	18.1*	15.6*	15.6*	13.6*	13.6*	12.1*	12.1*	10.8*	10.8*	9.6*	9.6*	8.6*	8.6*	7.5*	7.5*	6.1*	6.1*	22.5
-3.0	SW									7.4*	7.4*	11.6*	11.6*	19.3*	19.3*	17.7*	17.7*	15.3*	15.3*	13.4*	13.4*	11.8*	11.8*	10.5*	10.5*	9.3*	9.3*	8.2*	8.2*	7.0*	7.0*			22.0
-4.5	SW									8.4*	8.4*	12.0*	12.0*	18.4*	18.4*	16.9*	16.9*	14.7*	14.7*	12.9*	12.9*	11.3*	11.3*	10.0*	10.0*	8.8*	8.8*	7.5*	7.5*					20.7
-6.0	SW											17.8*	17.8*	15.6*	15.6*	13.6*	13.6*	12.0*	12.0*	10.5*	10.5*	9.2*	9.2*	7.9*	7.9*									18.8
-7.5	SW													10.6*	10.6*																			14.0

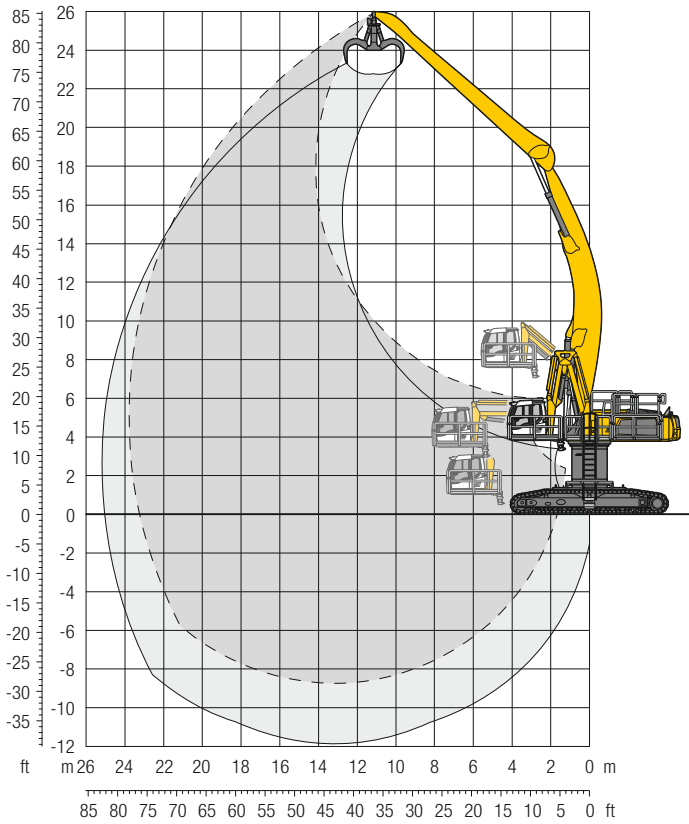
Height
 Can be slewed through 360°
 In longitudinal position of undercarriage
 Max. reach
 * Limited by hydr. capacity

The lift capacities on the stick end without attachment are stated in metric tons (t) and can be slewed through 360° on a firm, level supporting surface. Capacities are valid for 750 mm wide flat pads. Indicated loads based on the ISO 10567 standard and do not exceed 75% of tipping or 87% of hydraulic capacity. The lift capacity values indicated are attained at the corresponding operating temperature. This operating temperature is ensured by continuous movement of the boom. Weights of fitted working tools (grabs, load hooks, etc.) and load accommodation equipment are to be deducted from the lift capacity values. The lift capacity of the unit is limited by its stability, the lifting capability of the hydraulic elements, or the maximum permissible lifting capacity of the load hook.

In accordance with the harmonised European Standard EN 474-5, hydraulic excavators used for lifting operations must be equipped with pipe fracture safety valves, an overload warning device, a load hook and a lift capacity chart.

LH 110 C HR – Attachment AG24

Industry – Kinematic 2D

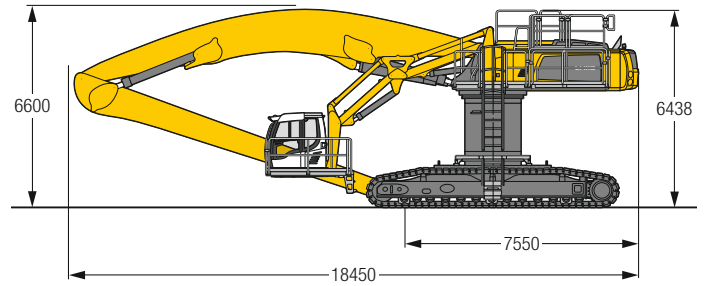


Operating Weight and Ground Pressure

The operating weight includes the basic machine with hydr. cab elevation, angled boom 13.00 m, straight stick 12.00 m and grab model GMM 120-5 / 1.70 m³ semi-closed tines.

Weight	112,000 kg
Pad width	750 mm
Ground pressure	on request

Dimensions



m	Undercarriage	Attachment AG24												m														
		6.0 m	7.5 m	9.0 m	10.5 m	12.0 m	13.5 m	15.0 m	16.5 m	18.0 m	19.5 m	21.0 m	22.5 m	24.0 m														
25.5	SW																	8.6*	8.6*	11.9								
24.0	SW																	7.7*	7.7*	14.2								
22.5	SW																	9.7*	9.7*	16.1								
21.0	SW																	8.8*	8.8*	17.6								
19.5	SW																	8.7*	8.7*	18.8								
18.0	SW																	8.7*	8.7*	19.9								
16.5	SW																	8.7*	8.7*	20.8								
15.0	SW																	8.7*	8.7*	21.6								
13.5	SW																	9.6*	9.6*	22.2								
12.0	SW																	9.8*	9.8*	22.7								
10.5	SW																	10.0*	10.0*	23.2								
9.0	SW																	10.3*	10.3*	23.5								
7.5	SW																	10.6*	10.6*	23.7								
6.0	SW	24.9*	24.9*	19.8*	19.8*	16.4*	16.4*	14.1*	14.1*	12.3*	12.3*	11.0*	11.0*	9.9*	9.9*	9.1*	9.1*	8.4*	8.4*	7.8*	7.8*	7.3*	7.3*	6.9*	6.9*	6.5*	6.5*	23.8
4.5	SW	27.1*	27.1*	21.2*	21.2*	17.4*	17.4*	14.8*	14.8*	12.8*	12.8*	11.4*	11.4*	10.2*	10.2*	9.3*	9.3*	8.6*	8.6*	7.9*	7.9*	7.4*	7.4*	6.9*	6.9*	6.6*	6.6*	23.8
3.0	SW	17.2*	17.2*	22.4*	22.4*	18.3*	18.3*	15.4*	15.4*	13.3*	13.3*	11.8*	11.8*	10.5*	10.5*	9.6*	9.6*	8.7*	8.7*	8.1*	8.1*	7.5*	7.5*	7.0*	7.0*	6.6*	6.6*	23.7
1.5	SW	11.2*	11.2*	22.2*	22.2*	19.1*	19.1*	16.0*	16.0*	13.8*	13.8*	12.1*	12.1*	10.8*	10.8*	9.8*	9.8*	8.9*	8.9*	8.2*	8.2*	7.6*	7.6*	7.0*	7.0*	6.6*	6.6*	23.5
0	SW	9.7*	9.7*	16.3*	16.3*	19.7*	19.7*	16.5*	16.5*	14.2*	14.2*	12.4*	12.4*	11.1*	11.1*	10.0*	10.0*	9.1*	9.1*	8.3*	8.3*	7.6*	7.6*	7.0*	7.0*	6.7*	6.7*	23.2
-1.5	SW	9.5*	9.5*	14.3*	14.3*	20.1*	20.1*	16.9*	16.9*	14.5*	14.5*	12.7*	12.7*	11.3*	11.3*	10.1*	10.1*	9.2*	9.2*	8.3*	8.3*	7.6*	7.6*	6.9*	6.9*	6.7*	6.7*	22.8
-3.0	SW	9.7*	9.7*	13.6*	13.6*	20.3*	20.3*	17.1*	17.1*	14.7*	14.7*	12.8*	12.8*	11.4*	11.4*	10.2*	10.2*	9.2*	9.2*	8.3*	8.3*	7.5*	7.5*			6.7*	6.7*	22.3
-4.5	SW	10.1*	10.1*	13.5*	13.5*	19.4*	19.4*	17.0*	17.0*	14.6*	14.6*	12.8*	12.8*	11.3*	11.3*	10.1*	10.1*	9.0*	9.0*	8.1*	8.1*	7.2*	7.2*			6.6*	6.6*	21.7
-6.0	SW	10.6*	10.6*	13.7*	13.7*	19.1*	19.1*	16.6*	16.6*	14.3*	14.3*	12.5*	12.5*	11.1*	11.1*	9.8*	9.8*	8.7*	8.7*	7.7*	7.7*					6.7*	6.7*	20.8
-7.5	SW					18.3*	18.3*	15.7*	15.7*	13.6*	13.6*	12.0*	12.0*	10.5*	10.5*	9.3*	9.3*	8.1*	8.1*							7.7*	7.7*	18.5

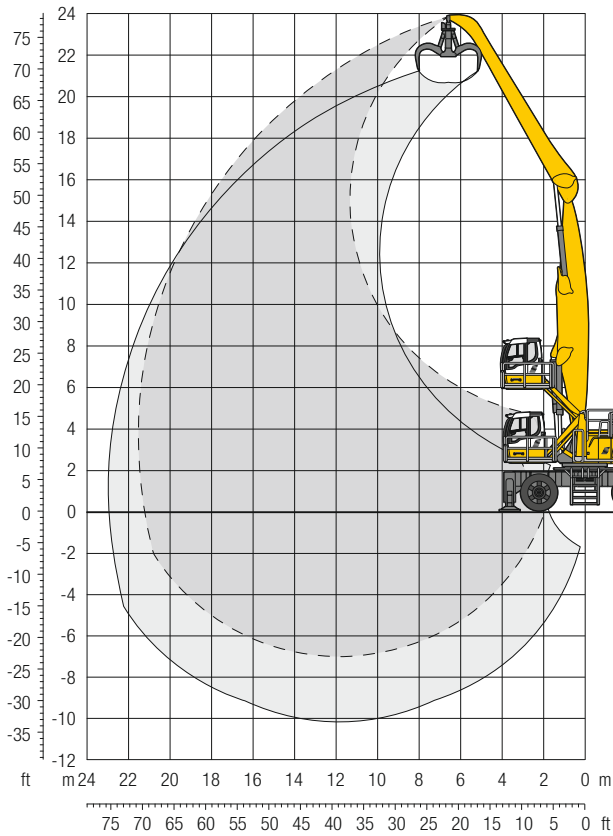
Height
 Can be slewed through 360°
 In longitudinal position of undercarriage
 Max. reach
 * Limited by hydr. capacity

The lift capacities on the stick end without attachment are stated in metric tons (t) and can be slewed through 360° on a firm, level supporting surface. Capacities are valid for 750 mm wide flat pads. Indicated loads based on the ISO 10567 standard and do not exceed 75% of tipping or 87% of hydraulic capacity. The lift capacity values indicated are attained at the corresponding operating temperature. This operating temperature is ensured by continuous movement of the boom. Weights of fitted working tools (grabs, load hooks, etc.) and load accommodation equipment are to be deducted from the lift capacity values. The lift capacity of the unit is limited by its stability, the lifting capability of the hydraulic elements, or the maximum permissible lifting capacity of the load hook.

In accordance with the harmonised European Standard EN 474-5, hydraulic excavators used for lifting operations must be equipped with pipe fracture safety valves, an overload warning device, a load hook and a lift capacity chart.

LH 110 M - Attachment GA22

Industry – Kinematic 2A

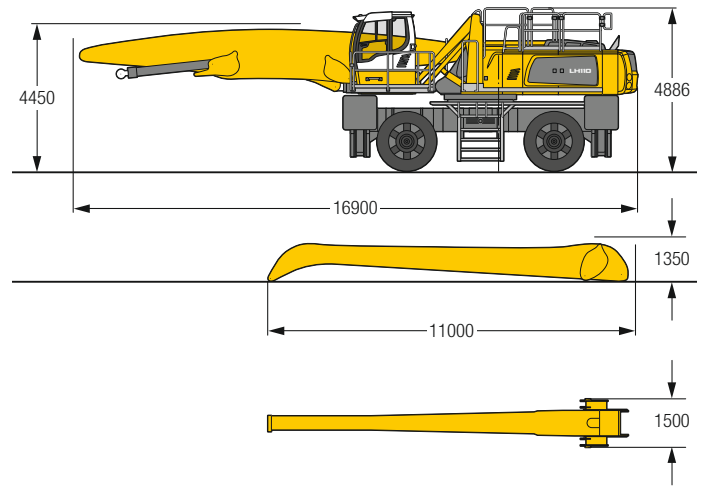


Operating Weight

The operating weight includes the basic machine with 4 point outriggers, hydr. cab elevation, 4 solid tyres, straight boom 11.50 m, angled stick 10.50 m and grab model GMM 120-5/2.00 m³ semi-closed tines.

Weight 98,500 kg

Dimensions



m	Attachment Length														m
	6.0 m	7.5 m	9.0 m	10.5 m	12.0 m	13.5 m	15.0 m	16.5 m	18.0 m	19.5 m	21.0 m	22.5 m	24.0 m		
25.5	4 pt. outriggers down														
24.0	4 pt. outriggers down														
22.5	4 pt. outriggers down														11.9" 11.9"
21.0	4 pt. outriggers down														10.2" 10.2"
19.5	4 pt. outriggers down														9.2" 9.2"
18.0	4 pt. outriggers down														8.6" 8.6"
16.5	4 pt. outriggers down														8.2" 8.2"
15.0	4 pt. outriggers down														7.9" 7.9"
13.5	4 pt. outriggers down														7.7" 7.7"
12.0	4 pt. outriggers down														7.5" 7.5"
10.5	4 pt. outriggers down														7.5" 7.5"
9.0	4 pt. outriggers down														7.4" 7.4"
7.5	4 pt. outriggers down														7.5" 7.5"
6.0	4 pt. outriggers down														7.5" 7.5"
4.5	4 pt. outriggers down														7.6" 7.6"
3.0	4 pt. outriggers down														7.8" 7.8"
1.5	4 pt. outriggers down														8.0" 8.0"
0	4 pt. outriggers down														8.4" 8.4"
-1.5	4 pt. outriggers down														8.1" 8.1"
-3.0	4 pt. outriggers down														8.8" 8.8"
-4.5	4 pt. outriggers down														9.0" 9.0"
-6.0	4 pt. outriggers down														9.5" 9.5"
-7.5	4 pt. outriggers down														10.0" 10.0"

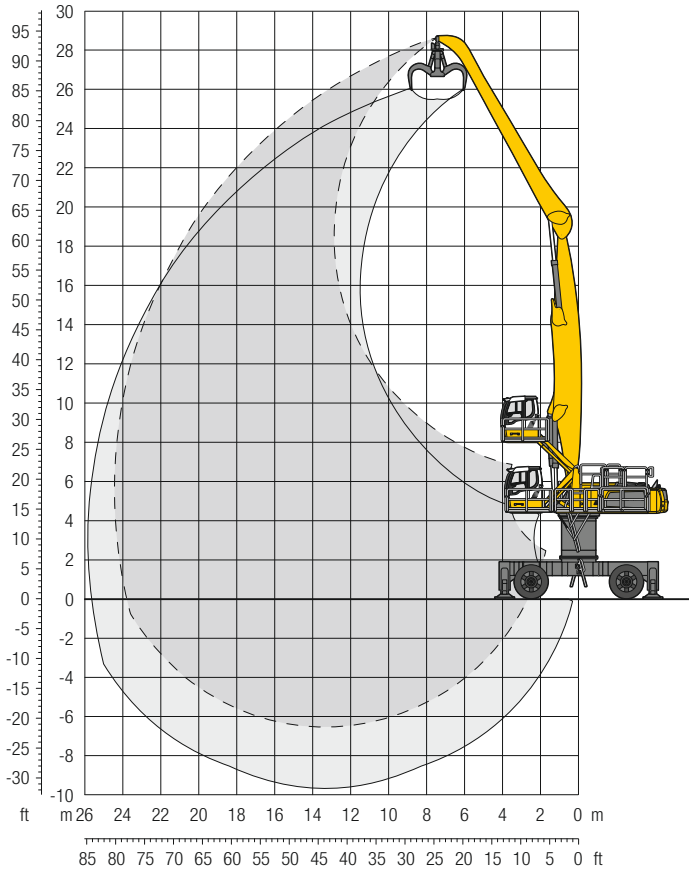
Height Can be slewed through 360° In longitudinal position of undercarriage Max. reach * Limited by hydr. capacity

The lift capacities on the stick end without attachment are stated in metric tons (t) and are valid on a firm, level supporting surface with blocked oscillating axle. These capacities can be slewed through 360° with the undercarriage in the transverse position. Capacities in the longitudinal position of the undercarriage (+/- 15°) are specified over the rigid axle with the stabilizers down. Indicated loads based on the ISO 10567 standard and do not exceed 75% of tipping or 87% of hydraulic capacity. The lift capacity values indicated are attained at the corresponding operating temperature. This operating temperature is ensured by continuous movement of the boom. Weights of fitted working tools (grabs, load hooks, etc.) and load accommodation equipment are to be deducted from the lift capacity values. The lift capacity of the unit is limited by its stability, the lifting capability of the hydraulic elements, or the maximum permissible lifting capacity of the load hook.

In accordance with the harmonised European Standard EN 474-5, hydraulic excavators used for lifting operations must be equipped with pipe fracture safety valves, an overload warning device, a load hook and a lift capacity chart.

LH 110 M HR - Attachment GA24

Industry – Kinematic 2A

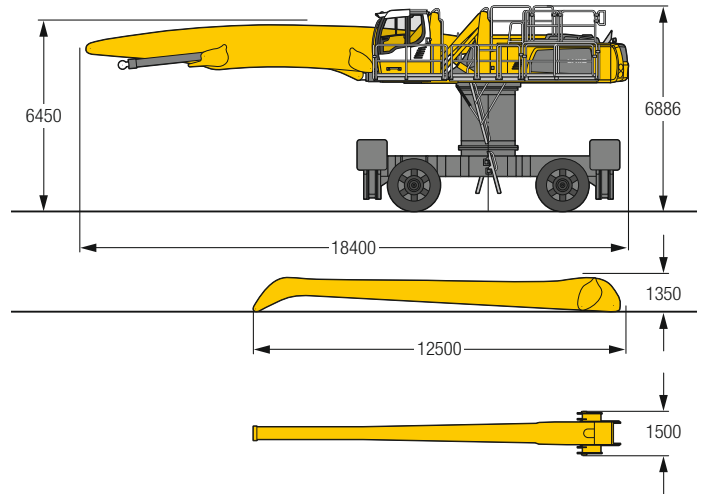



Operating Weight

The operating weight includes the basic machine with 4 point outriggers, hydr. cab elevation, 4 solid tyres, straight boom 13.00 m, angled stick 12.00 m and grab model GMM 120-5/1.70 m³ semi-closed tines.

Weight 107,500 kg

Dimensions



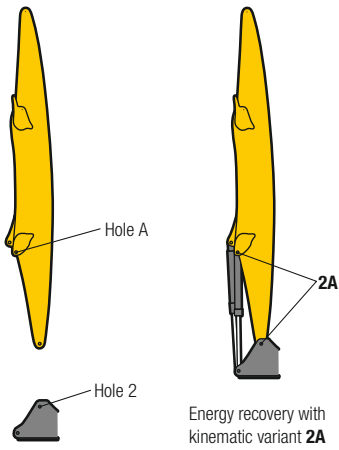
	6.0 m	7.5 m	9.0 m	10.5 m	12.0 m	13.5 m	15.0 m	16.5 m	18.0 m	19.5 m	21.0 m	22.5 m	24.0 m																
m														m															
Undercarriage																													
28.5 4 pt. outriggers down														12.5*	12.5*	7.8													
27.0 4 pt. outriggers down					11.4*	11.4*								9.9*	9.9*	11.4													
25.5 4 pt. outriggers down						11.5*	11.5*	9.4*	9.4*					8.6*	8.6*	13.9													
24.0 4 pt. outriggers down						12.7*	12.7*	11.4*	11.4*	9.5*	9.5*			7.9*	7.9*	15.9													
22.5 4 pt. outriggers down							11.6*	11.6*	10.6*	10.6*	9.2*	9.2*				7.3*	7.3*	17.5											
21.0 4 pt. outriggers down							11.5*	11.5*	10.5*	10.5*	9.7*	9.7*	8.7*	8.7*		7.0*	7.0*	18.9											
19.5 4 pt. outriggers down							11.4*	11.4*	10.4*	10.4*	9.6*	9.6*	9.0*	9.0*	7.9*	7.9*		6.7*	6.7*	20.0									
18.0 4 pt. outriggers down							11.3*	11.3*	10.4*	10.4*	9.6*	9.6*	8.9*	8.9*	8.3*	8.3*	6.5*	6.5*		6.5*	6.5*	21.0							
16.5 4 pt. outriggers down							11.4*	11.4*	10.4*	10.4*	9.6*	9.6*	8.9*	8.9*	8.3*	8.3*	7.8*	7.8*		6.3*	6.3*	21.8							
15.0 4 pt. outriggers down							11.4*	11.4*	10.4*	10.4*	9.6*	9.6*	8.9*	8.9*	8.3*	8.3*	7.8*	7.8*		6.3*	6.3*	22.5							
13.5 4 pt. outriggers down						12.8*	12.8*	11.6*	11.6*	10.5*	10.5*	9.7*	9.7*	8.9*	8.9*	8.3*	8.3*	7.8*	7.8*	6.3*	6.3*	23.1							
12.0 4 pt. outriggers down						13.0*	13.0*	11.7*	11.7*	10.7*	10.7*	9.8*	9.8*	9.0*	9.0*	8.4*	8.4*	7.8*	7.8*	7.3*	7.3*	23.6							
10.5 4 pt. outriggers down							15.1*	15.1*	13.3*	13.3*	11.9*	11.9*	10.8*	10.8*	9.9*	9.9*	9.1*	9.1*	8.4*	8.4*	7.8*	7.8*	7.3*	7.3*	6.2*	6.2*	23.9		
9.0 4 pt. outriggers down							17.9*	17.9*	15.5*	15.5*	13.6*	13.6*	12.2*	12.2*	11.0*	11.0*	10.0*	10.0*	9.2*	9.2*	8.5*	8.5*	7.8*	7.8*	7.3*	7.3*	6.7*	6.7*	24.2
7.5 4 pt. outriggers down	18.0*	18.0*	21.8*	21.8*	18.7*	18.7*	16.0*	16.0*	14.0*	14.0*	12.4*	12.4*	11.2*	11.2*	10.1*	10.1*	9.3*	9.3*	8.5*	8.5*	7.9*	7.9*	7.3*	7.3*	6.6*	6.6*	6.3*	6.3*	24.4
6.0 4 pt. outriggers down	29.9*	29.9*	23.5*	23.5*	19.4*	19.4*	16.5*	16.5*	14.3*	14.3*	12.7*	12.7*	11.4*	11.4*	10.3*	10.3*	9.4*	9.4*	8.6*	8.6*	7.9*	7.9*	7.2*	7.2*	6.5*	6.5*	6.2*	6.2*	24.4
4.5 4 pt. outriggers down	26.7*	26.7*	24.5*	24.5*	20.0*	20.0*	16.9*	16.9*	14.7*	14.7*	12.9*	12.9*	11.5*	11.5*	10.4*	10.4*	9.4*	9.4*	8.6*	8.6*	7.9*	7.9*	7.2*	7.2*	6.4*	6.4*	6.1*	6.1*	24.4
3.0 4 pt. outriggers down	10.3*	10.3*	25.3*	25.3*	20.6*	20.6*	17.3*	17.3*	14.9*	14.9*	13.1*	13.1*	11.6*	11.6*	10.5*	10.5*	9.5*	9.5*	8.6*	8.6*	7.8*	7.8*	7.0*	7.0*	6.1*	6.1*	5.8*	5.8*	24.3
1.5 4 pt. outriggers down	8.0*	8.0*	16.2*	16.2*	20.9*	20.9*	17.5*	17.5*	15.1*	15.1*	13.2*	13.2*	11.7*	11.7*	10.5*	10.5*	9.4*	9.4*	8.5*	8.5*	7.7*	7.7*	6.8*	6.8*	5.7*	5.7*	5.6*	5.6*	24.1
0 4 pt. outriggers down	7.6*	7.6*	13.2*	13.2*	20.9*	20.9*	17.6*	17.6*	15.1*	15.1*	13.2*	13.2*	11.7*	11.7*	10.4*	10.4*	9.3*	9.3*	8.4*	8.4*	7.4*	7.4*	6.4*	6.4*			5.3*	5.3*	23.8
-1.5 4 pt. outriggers down	8.0*	8.0*	12.3*	12.3*	20.4*	20.4*	17.3*	17.3*	14.9*	14.9*	13.0*	13.0*	11.5*	11.5*	10.2*	10.2*	9.1*	9.1*	8.1*	8.1*	7.0*	7.0*	5.8*	5.8*			5.2*	5.2*	23.1
-3.0 4 pt. outriggers down	8.6*	8.6*	12.4*	12.4*	19.0*	19.0*	16.7*	16.7*	14.4*	14.4*	12.6*	12.6*	11.1*	11.1*	9.8*	9.8*	8.6*	8.6*	7.5*	7.5*	6.4*	6.4*					5.6*	5.6*	21.8
-4.5 4 pt. outriggers down			12.8*	12.8*	18.0*	18.0*	15.5*	15.5*	13.5*	13.5*	11.8*	11.8*	10.4*	10.4*	9.1*	9.1*	7.9*	7.9*	6.7*	6.7*							6.3*	6.3*	20.0
-6.0 4 pt. outriggers down					13.8*	13.8*	12.2*	12.2*	10.7*	10.7*	9.3*	9.3*	8.0*	8.0*													7.7*	7.7*	16.9

 **Height**  **Can be slewed through 360°**  **In longitudinal position of undercarriage**  **Max. reach** * **Limited by hydr. capacity**

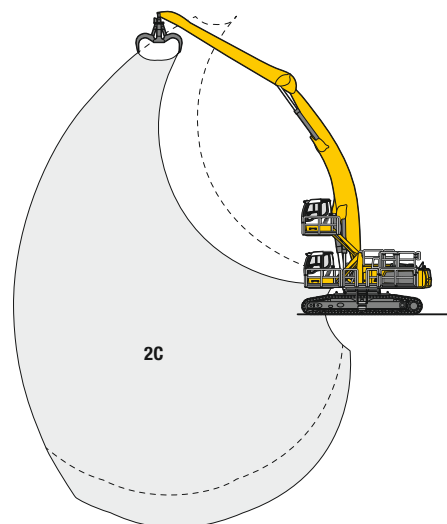
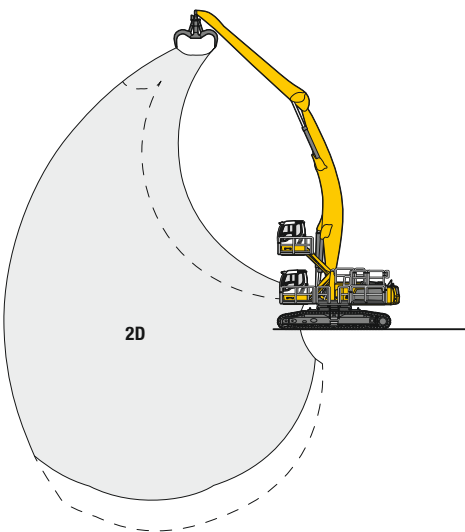
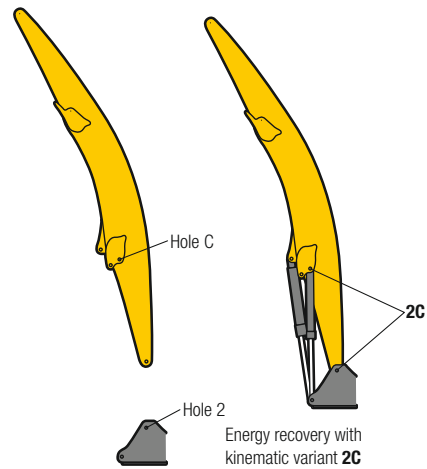
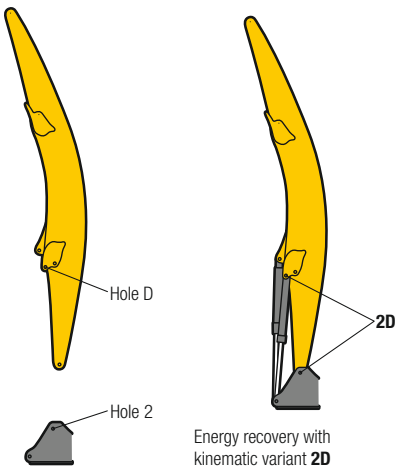
The lift capacities on the stick end without attachment are stated in metric tons (t) and are valid on a firm, level supporting surface with blocked oscillating axle. These capacities can be slewed through 360° with the undercarriage in the transverse position. Capacities in the longitudinal position of the undercarriage (+/- 15°) are specified over the rigid axle with the stabilizers down. Indicated loads based on the ISO 10567 standard and do not exceed 75% of tipping or 87% of hydraulic capacity. The lift capacity values indicated are attained at the corresponding operating temperature. This operating temperature is ensured by continuous movement of the boom. Weights of fitted working tools (grabs, load hooks, etc.) and load accommodation equipment are to be deducted from the lift capacity values. The lift capacity of the unit is limited by its stability, the lifting capability of the hydraulic elements, or the maximum permissible lifting capacity of the load hook.

In accordance with the harmonised European Standard EN 474-5, hydraulic excavators used for lifting operations must be equipped with pipe fracture safety valves, an overload warning device, a load hook and a lift capacity chart.

Kinematic Variant 2A



Kinematic Variant 2D/2C



Altered range curve with additional reach depth, e.g. for unloading from ships

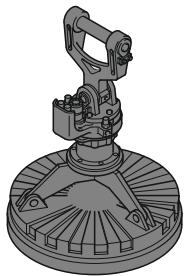
Working Tools



Multi-Tine Grab

		open			semi-closed			closed					
Grab model GMM 80-4 (4 tines)													
Capacity	m ³	1.10	1.40	1.70	1.10	1.40	1.70	1.40*					
Weight	kg	1,895	1,935	1,995	2,090	2,150	2,210	2,430					
Grab model GMM 80-5 (5 tines)													
Capacity	m ³	1.10	1.40	1.70	1.10	1.40	1.70	1.10*	1.40*	1.70*			
Weight	kg	2,170	2,220	2,290	2,390	2,465	2,540	2,440	2,580	2,740			
Grab model GMM 120-4 (4 tines)													
Capacity	m ³	1.70	2.00	2.50	3.00	1.70	2.00	2.50	3.00				
Weight	kg	2,155	2,195	2,250	2,305	2,410	2,465	2,555	2,655				
Grab model GMM 120-5 (5 tines)													
Capacity	m ³	1.70	2.00	2.50	3.00	1.70	2.00	2.50	3.00	1.70	2.00	2.50	3.00
Weight	kg	2,480	2,540	2,610	2,675	2,785	2,855	2,965	3,085				

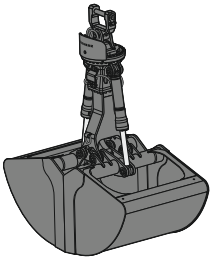
* heart-shaped



Magnet Devices / Lifting Magnets

Generator	kW	30	30
Electromagnets with suspension			
Power	kW	17.8	22
Diameter of magnet	mm	1,700	1,900
Weight	kg	3,280*	5,090*

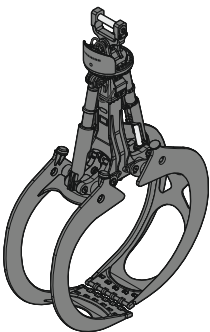
* only magnet plate



Shells for Loose Material

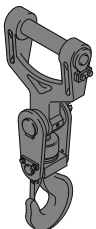
Shells for loose material with cutting edge (without teeth)

Grab model GMZ 80								
Width of shells	mm	1,300	1,500	1,750	2,000	2,200	2,600	
Capacity	m ³	3.00	3.50	4.00	4.50	5.00	6.00	
Weight	kg	2,515	2,630	2,775	2,920	3,040	3,275	
Grab model GMZ 120								
Width of shells	mm	1,600	1,800	2,000	2,200	2,400	2,800	3,200
Capacity	m ³	4.00	4.50	5.00	5.50	6.00	7.00	8.00
Weight	kg	3,040	3,135	3,295	3,425	3,545	3,825	4,100



Wood Grab


Grab model GMH 80 round-shaped (complete overlapping, vertical cylinders)					
Size	m ²	1.60	1.90	2.20	2.50
Cutting width	mm	870	870	870	870
Height of grab, closed	mm	3,202	3,332	3,487	3,582
Weight	kg	2,195	2,240	2,255	2,315
Grab model GMH 120 round-shaped (complete overlapping, vertical cylinders)					
Size	m ²	2.80	3.20		
Cutting width	mm	870	870		
Height of grab, closed	mm	3,851	4,007		
Weight	kg	2,405	2,765		





Load Hook with Suspension


Max. load	t	25
Weight	kg	255

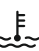
Equipment


	110 M	110 C	110 M HR	110 C HR
 Undercarriage				
Track pads, variants		+		+
Individual control outriggers	+		•	
Three-piece chain guide		•		•
Shuttle axle lock, automatic	•		•	
Outrigger monitoring system	+		+	
Tyres, variants	+		+	
Protection for piston rods, outriggers	+		+	
Two lockable storage boxes	•			


	110 M	110 C	110 M HR	110 C HR
 Uppercarriage				
Uppercarriage right side light, 1 piece, LED	•	•	•	•
Uppercarriage rear light, 2 pieces, LED	+	+		
Uppercarriage underneath rear light, 1 piece, LED			+	+
Refuelling system with filling pump	+	+	+	+
Railing on uppercarriage	•	•	•	•
Generator	+	+	+	+
Main battery switch for electrical system	•	•	•	•
Warning beacon on uppercarriage, LED	+	+	+	+
Protection for headlights	+	+		
Tool equipment, extended	•	•	•	•


	110 M	110 C	110 M HR	110 C HR
 Hydraulic System				
Electronic pump regulation	•	•	•	•
Liebherr hydraulic oil from -20 °C to +40 °C	•	•	•	•
Liebherr hydraulic oil, biologically degradable	+	+	+	+
Liebherr hydraulic oil, specially for warm or cold regions	+	+	+	+
Magnetic rod in hydraulic tank	•	•	•	•
Bypass filter	+	+	+	+
Preheating hydraulic oil	+	+	+	+

	110 M	110 C	110 M HR	110 C HR
 Engine				
Fuel anti-theft device	+	+	+	+
Air pre-filter with dust discharge	+	+	+	+
Preheating fuel	+	+	+	+
Preheating coolant*	+	+	+	+
Preheating engine oil*	+	+	+	+

	110 M	110 C	110 M HR	110 C HR
 Cooling System				
Reversible fan drive, fully automatic	+	+	+	+
Protective grid in front of cooler intake	•	•	•	•

 Operator's Cab	110 M	110 C	110 M HR	110 C HR
Stabilizer, proportional control on left joystick	•		•	
Cab lights rear, LED	+	+	+	+
Cab lights front, LED	+	+	+	+
Cab lights front, LED (under rain cover)	•	•	•	•
Left arm console, folding	•	•	•	•
Armrest adjustable	•	•	•	•
Circular bubble level	•	•	•	•
Driver profile, personalised (max. 5 drivers)	+	+	+	+
Operator's seat Comfort	•	•	•	•
Operator's seat Premium	+	+	+	+
Driving alarm (acoustic signal is emitted during travel, can be switched ON/OFF)	+	+	+	+
Fire extinguisher	+	+	+	+
Horn, button on left joystick	•	•	•	•
Joystick steering	•		•	
Cab elevation, hydraulic (LHC)	•	•	•	•
Cab elevation, hydraulic with double parallelogram (LHC-D)			+	+
Cab elevation, rigid (LFC)	+	+		
Automatic air conditioning	•	•	•	•
Wheel steering (slim version)	+		+	
LiDAT, vehicle fleet management	•	•	•	•
Automatic engine shut-down (time adjustable)	+	+	+	+
Proportional control	•	•	•	•
Radio Comfort, control via display with handsfree set	+	+	+	+
Preparation for radio installation	•	•	•	•
Back-up alarm (acoustic signal is emitted traveling backward, can not be switched off)	+		+	
Warning beacon on cab, LED	+	+	+	+
Windows made from impact-resistant laminated safety glass	•	•	•	•
Windscreen wiper, roof	+	+	+	+
Windshield wiper, entire windscreen	•	•	•	•
Top guard	+	+	+	+
Front guard, adjustable	+	+	+	+
Sun visor	+	+	+	+
Flashing light (xenon)	+	+	+	+

 Attachment	110 M	110 C	110 M HR	110 C HR
Boom lights, 2 pieces, LED	•	•	•	•
Stick lights, 4 pieces, LED	•	•	•	•
Boom shutoff (retract/extend), electronically	•	•	•	•
Attachment with electro-hydraulic end position control	•	•	•	•
AutoLift	+	+	+	+
Pressure warning mechanism hoist cylinder	•	•	•	•
ERC system	•	•	•	•
Boom cylinder cushioning	•	•	•	•
Stick camera (with separate monitor), bottom side, with protection	+	+	+	+
Load torque limitation	+	+	+	+
Liebherr multi coupling system	+	+	+	+
Pipe fracture safety valves hoist cylinders	•	•	•	•
Pipe fracture safety valve stick cylinder	•	•	•	•
Protection for piston rod, energy recovering cylinder	+	+	+	+
Protection for piston rods, hoist cylinder	+	+	+	+
Stick shutoff (retract/extend), electronically	•	•	•	•
Retract stick without pressure	•	•	•	•
Sticks with quick coupling	+	+	+	+
Overload warning device	+	+	+	+

 Complete Machine	110 M	110 C	110 M HR	110 C HR
Lubrication				
Lubrication undercarriage, manually – centralised (one grease point)	•		•	
Central lubrication system for uppercarriage and attachment, automatically	•	•	•	•
Central lubrication system for undercarriage, automatically	+		+	
Special coating, variants	+	+	+	+
Monitoring				
Rear view monitoring with camera *	•	•	•	•
Side view monitoring with camera	•	•	•	•

• = Standard, + = Option

* = country-dependent

Options and/or special attachments, supplied by vendors other than Liebherr, are only to be installed with the knowledge and approval of Liebherr in order to retain warranty.

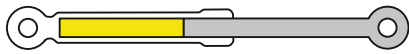
Liebherr ERC-System

Efficiency
as standard



ERC System – More performance, less consumption

Lowering the equipment stores energy in the ERC system. This stored energy is then made available to the machine to provide additional engine power. When the equipment is raised the stored energy is released and is reflected in powerful, homogeneous operating cycles. The result is a clear saving on fuel – and, at the same time, even greater performance.



1. Attachment fitting raised/
Energy released

B



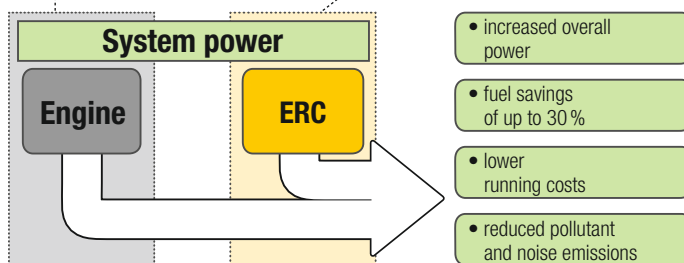
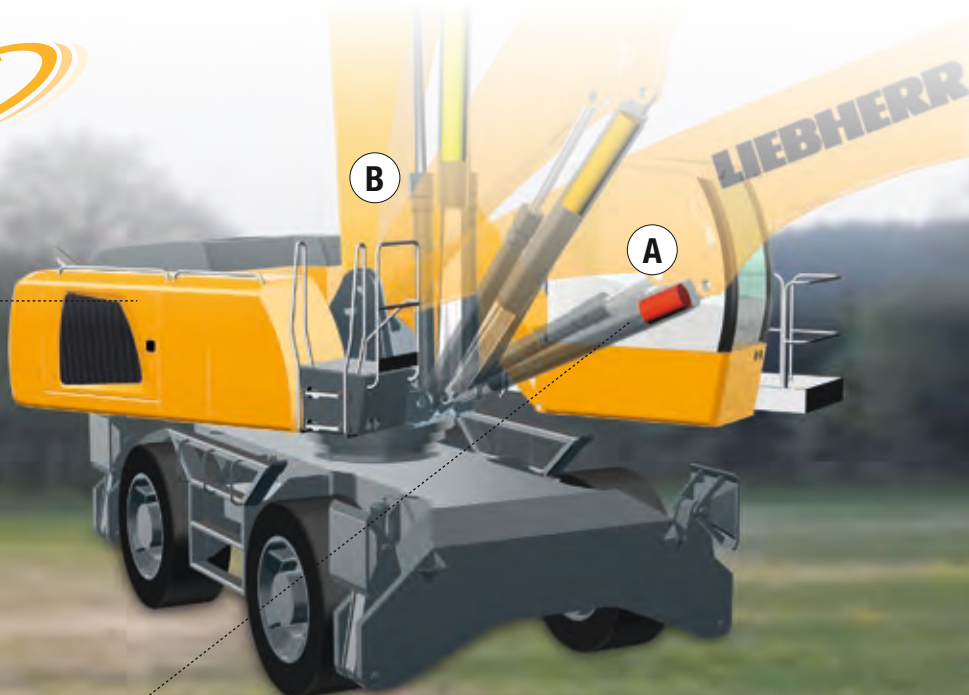
2. Lower attachment fitting /Store energy
4. Raise attachment fitting /Release energy



3. Attachment fitting lowered/
Energy stored

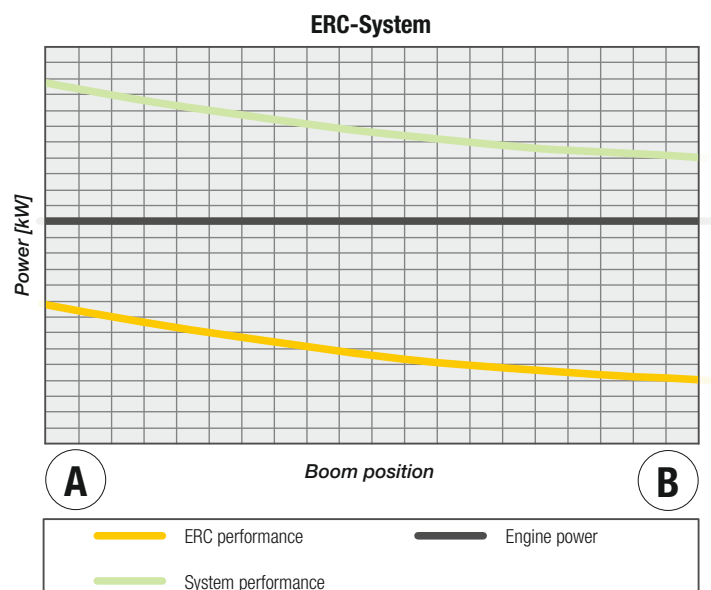
A

ERC



System power

The energy recovery cylinder is a storage system which is independent of the diesel engine. The system performance of material handling machines fitted with the ERC system is composed of the installed engine power and the energy recovery cylinder. When the equipment is raised, energy from the ERC system is supplied in addition to the power from the diesel engine.



The Liebherr Group of Companies



Wide Product Range

The Liebherr Group is one of the largest construction equipment manufacturers in the world. Liebherr's high-value products and services enjoy a high reputation in many other fields. The wide range includes domestic appliances, aerospace and transportation systems, machine tools and maritime cranes.

Exceptional Customer Benefit

Every product line provides a complete range of models in many different versions. With both their technical excellence and acknowledged quality, Liebherr products offer a maximum of customer benefits in practical applications.

State-of-the-art Technology

To provide consistent, top quality products, Liebherr attaches great importance to each product area, its components and core technologies. Important modules and components are developed and manufactured in-house, for instance the entire drive and control technology for construction equipment.

Worldwide and Independent

Hans Liebherr founded the Liebherr family company in 1949. Since that time, the enterprise has steadily grown to a group of more than 130 companies with over 41,000 employees located on all continents. The corporate headquarters of the Group is Liebherr-International AG in Bulle, Switzerland. The Liebherr family is the sole owner of the company.

www.liebherr.com

Liebherr-Hydraulikbagger GmbH

Liebherrstraße 12, D-88457 Kirchdorf/Iller
☎ +49 7354 80-0, Fax +49 7354 80-72 94
www.liebherr.com, E-Mail: info.lhb@liebherr.com
www.facebook.com/LiebherrConstruction